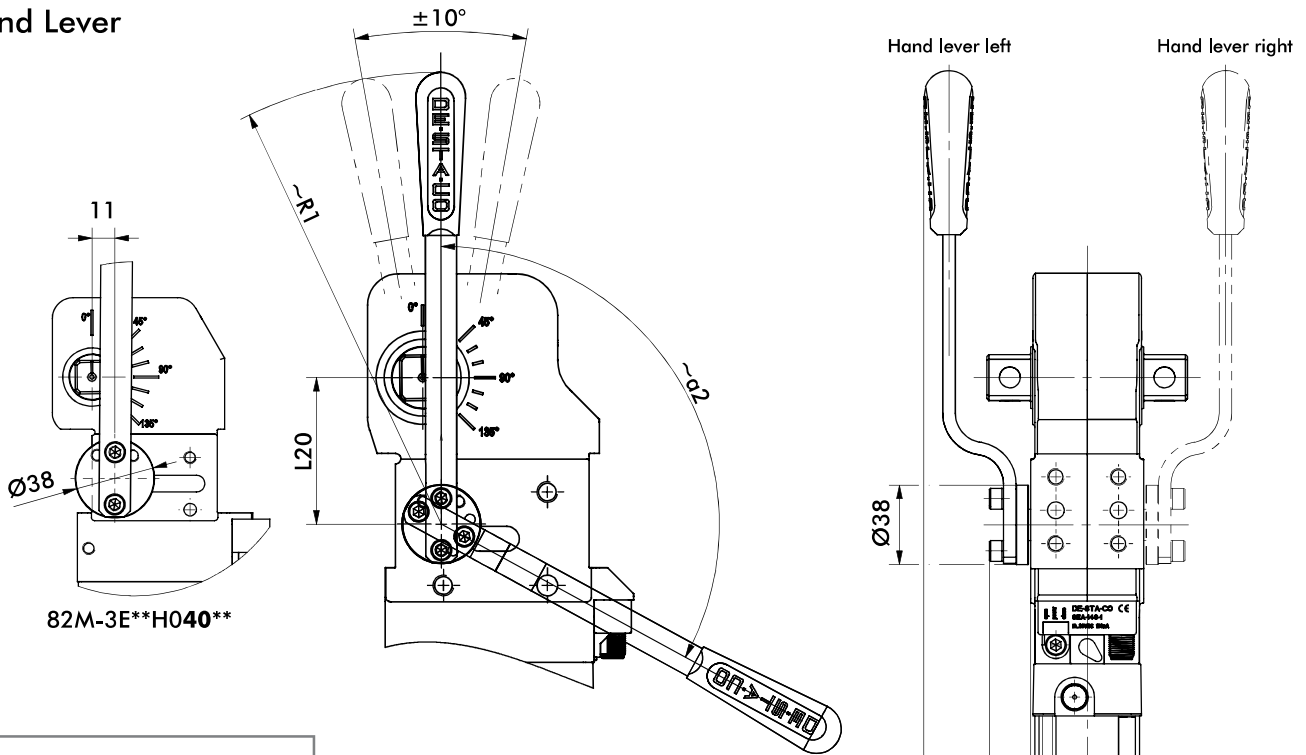


82M-3 ACCESSORIES

Pneumatic Power Clamps | Dimensions | Technical Specifications

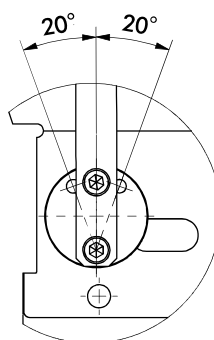
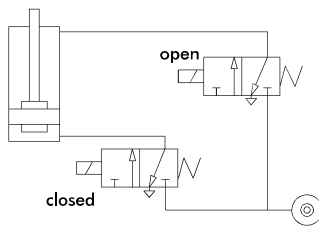
Hand Lever



82M-3E**H040**



Pneumatic circuit required for manual and pneumatic actuation.



Hand lever can be mounted in 3 positions



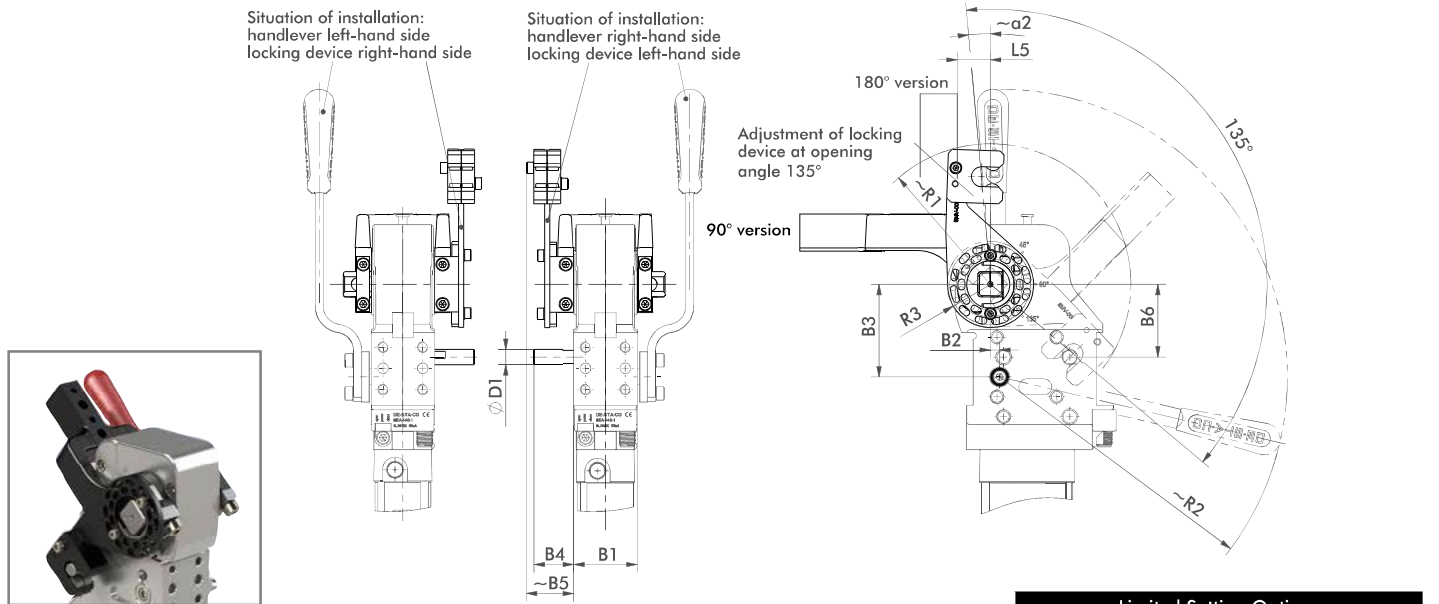
Hand lever position is adjustable to ± 20 degrees for improved ergonomics.

Model No.	B21	B28	L20	~R1	Swivel Angle $\alpha 2$ (with reference to opening angle of clamp arm)										
					0°	15°	30°	45°	60°	75°	90°	105°	120°	135°	
82M-3...H040..	27	24	48,5	160	0°	31°	41°	49°	58°	69°	88°	113°	134°	144°	
82M-3...H05...	52	20	70	218	-1°	30°	39°	46°	53°	61°	70°	81°	92°	103°	
82M-3...H06..	52	20	70,5	218	0°	30°	39°	47°	56°	66°	79°	94°	108°	119°	
82M-3...H08..	56	24	82	268	-1°	28°	37°	45°	53°	63°	75°	92°	107°	117°	

82M-3 ACCESSORIES

Pneumatic Power Clamps | Dimensions | Technical Specifications

Locking Device for Hand Lever

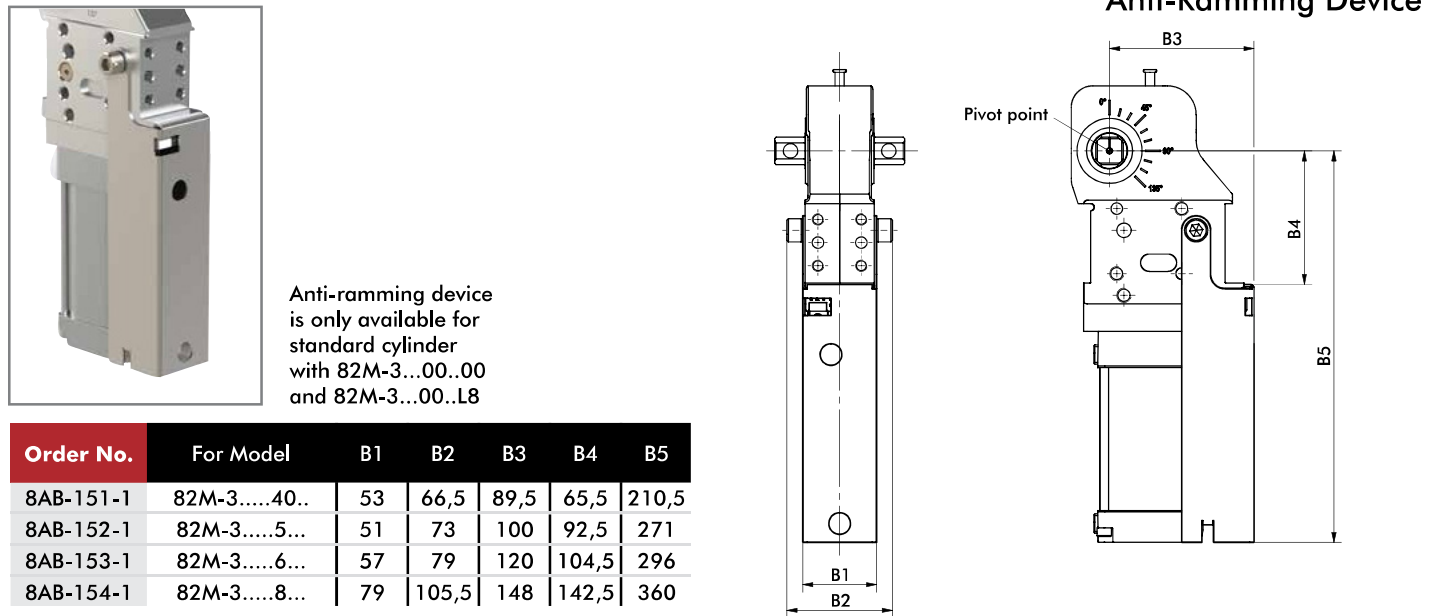


Order No.	For Model	B1	B2	B3	B4	B5	B6	ØD1	R1	R2	R3	a2	Limited Setting Options					
													Height of the clamping arm: L5 max.					
													90° version			180° version		
82ZB-162-1	82M-3...H040..	50	11	48,5	25	31	38,5	10,5	81	160	27	6	120°	-	105°	120°	120°	120°
82ZB-084-1	82M-3...H05...	48	7	70	30	36	55	11,5	107	218	32,5	6	120°	-	-	105°	120°	-
82ZB-039-1	82M-3...H06...	54	9	70,5	30	36	55	11,5	107	210	32,5	6	110°	105°	-	105°	120°	-



Anti-ramming device is only available for standard cylinder with 82M-3...00..00 and 82M-3...00..L8

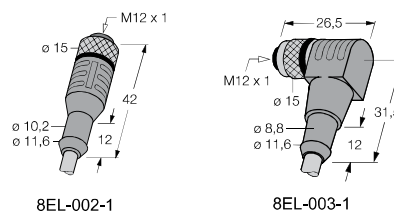
Anti-Ramming Device



Order No.	For Model	B1	B2	B3	B4	B5
8AB-151-1	82M-3.....40..	53	66,5	89,5	65,5	210,5
8AB-152-1	82M-3.....5...	51	73	100	92,5	271
8AB-153-1	82M-3.....6...	57	79	120	104,5	296
8AB-154-1	82M-3.....8...	79	105,5	148	142,5	360

Cable and Connector

Order No.	Description
8EL-002-1	M12x1, Straight, 5-pin Connector with 5m Cable
8EL-003-1	M12x1, Angular, 4-pin Connector with 5m Cable



Dimensions and technical information are subject to change without notice